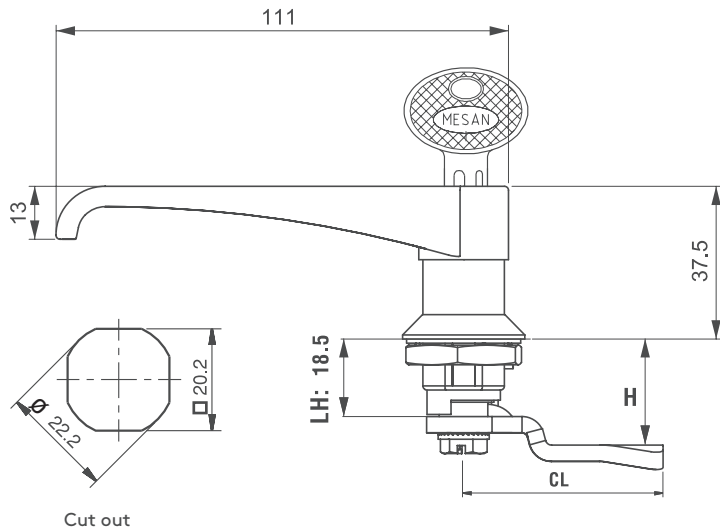




111

CAM LOCK - L HANDLE



111 1-1-DD-CC
ZAMAK - CHROME

111 1-2-DD-CC
ZAMAK - BLACK COATED

111 2-0-DD-CC
PLASTIC

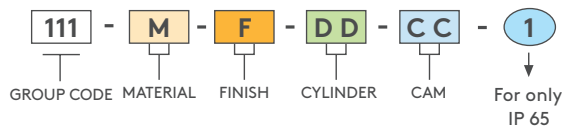


- Stainless steel version: page 481
- Quarter-turn operation
- Available in all die-cast zinc alloy or with polyamide wing handle and housing
- Optional blind version

MATERIAL

HOUSING: Zamak DIN-EN 1774-ZnAl4Cu1
CAM: Steel or Plastic
GASKET: Rubber

PRODUCT CODE



| MATERIAL | M | FINISH | F |
|----------|---|--------------|---|
| Zamak | 1 | Chrome | 1 |
| | | Black coated | 2 |
| Plastic | 2 | No finish | 0 |

| CYLINDER | SPECIFICATIONS | DD |
|----------|---|----|
| | No cylinder | 00 |
| | Keyed alike (Stainless steel dust cap) | 03 |
| | Keyed differ (Stainless steel dust cap) | 32 |
| | Euro key (5333) | 05 |
| | CH751 (Stainless steel dust cap) | 07 |

No cylinder '00'



For cams please check pages: 170 - 171